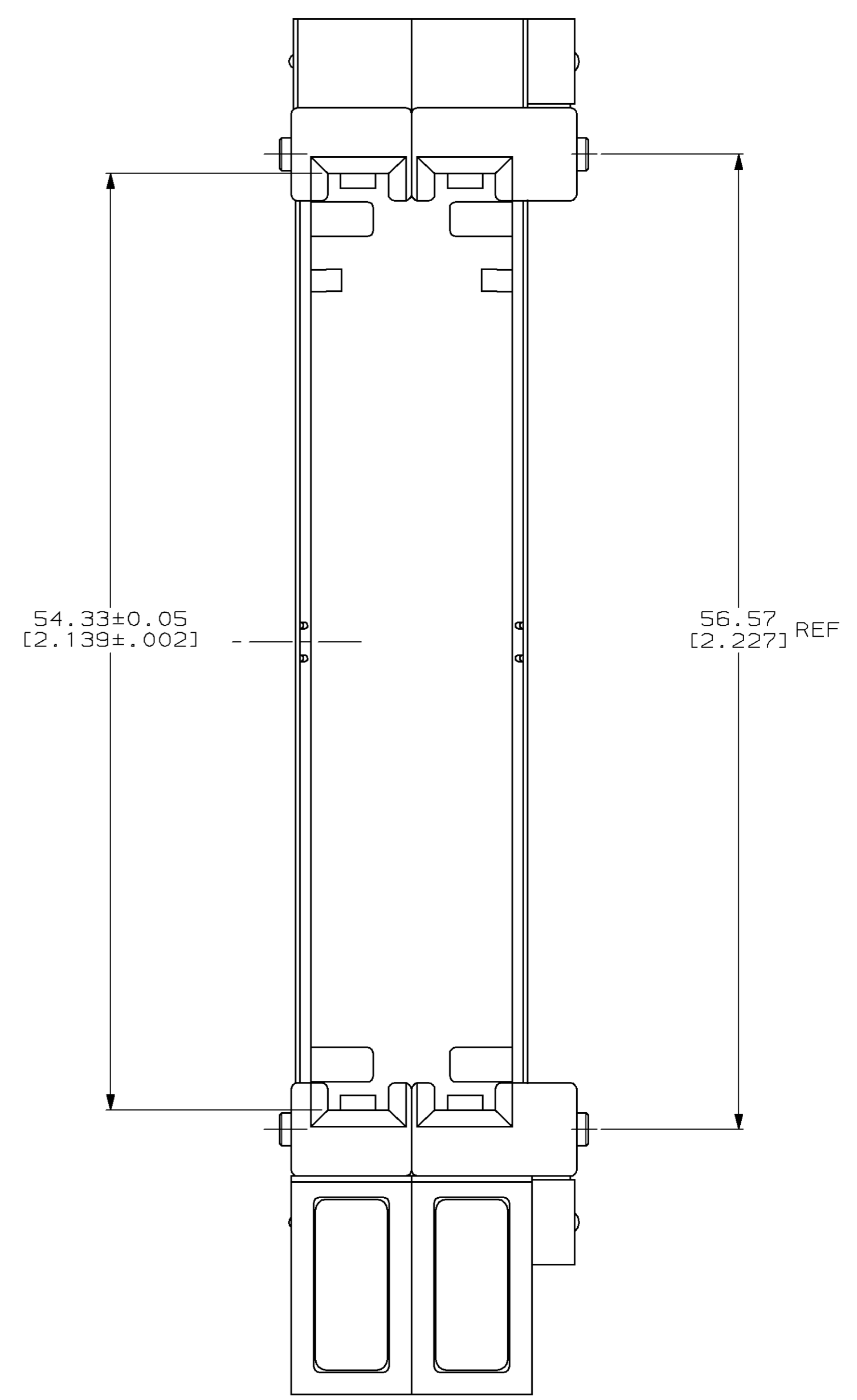
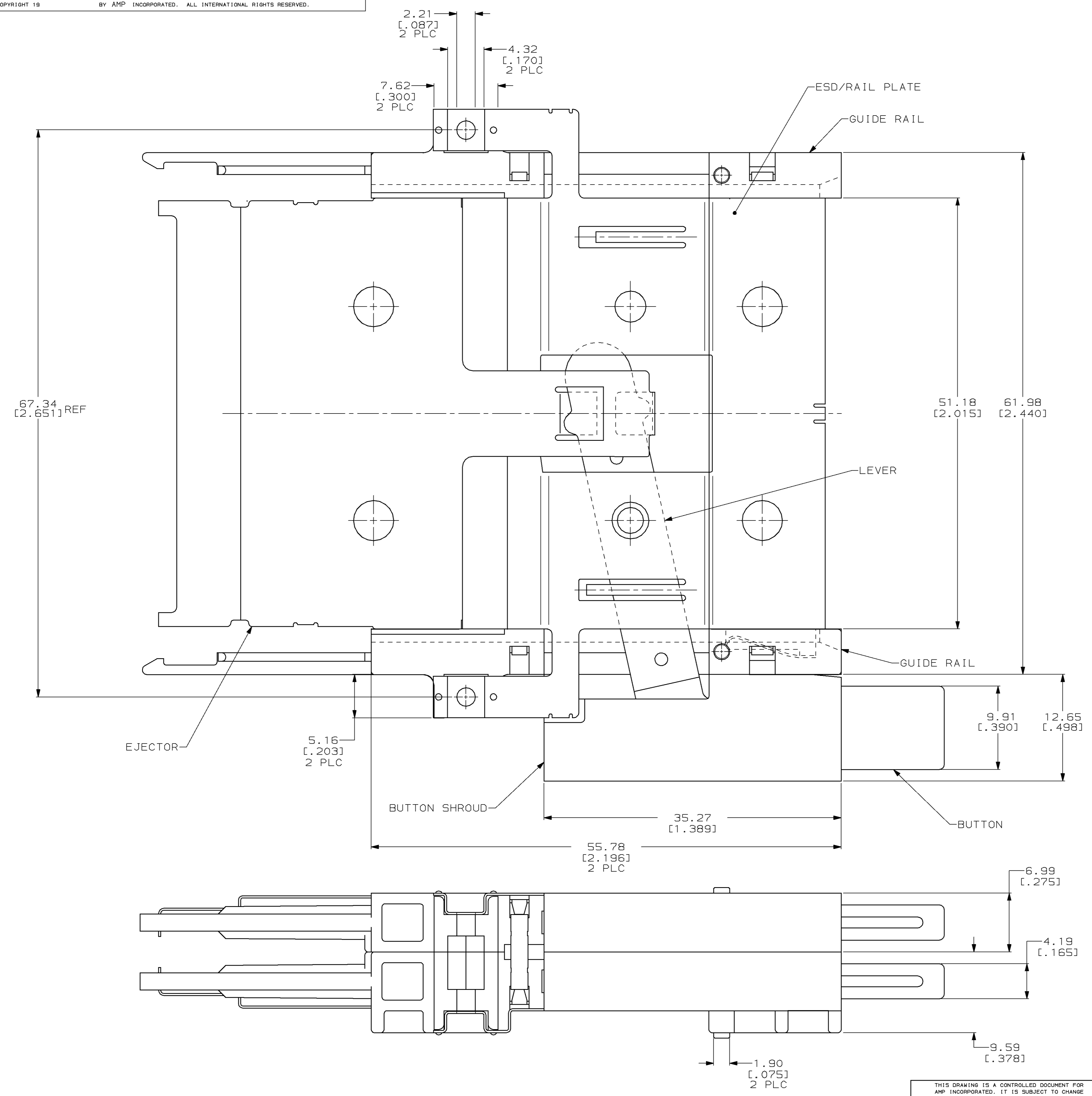


LOC		DIST		P		F		ZONE		LTR		REVISIONS			
AD	39											DESCRIPTION	DATE	APPD	
												A	REV PER EC 0010-1581-95	11/18/96	VR
												B	REV PER 0410-0015-96	12/26/96	VR

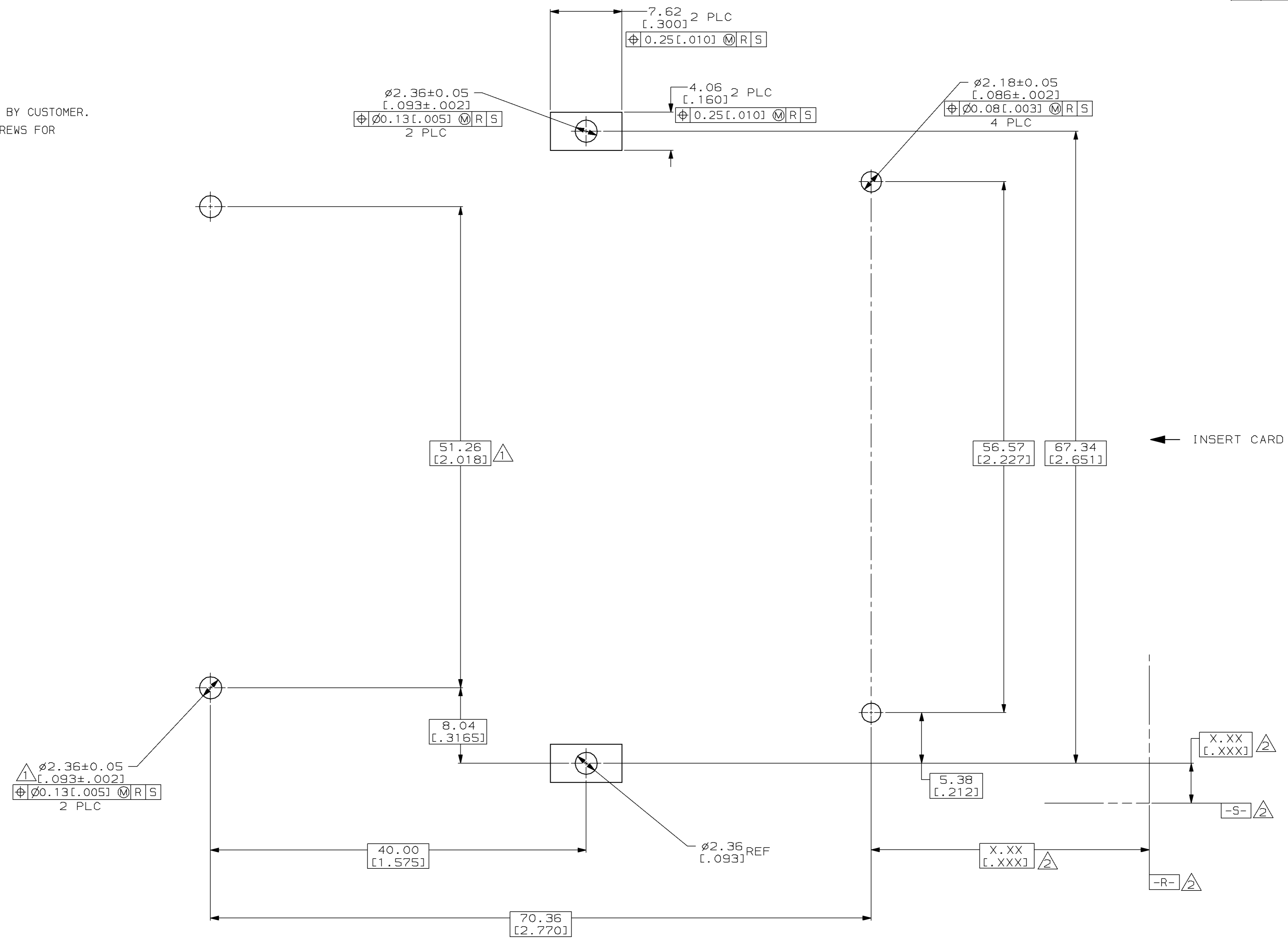


DO NOT SCALE PRINT. UNLESS SPECIFIED DIMENSIONS IN mm [INCHES]		DR	11/29/93	J MOSER	146048-1	
TOLERANCES ON:		CHK	11/29/93	B ELICKER	PART NO	
2 PLC DEC ± 0.13 [.005]		APPD	11/29/93	B ELICKER	AMP Incorporated	
3 PLC DEC ± -		APPD	11/29/93	B ELICKER	Harrisburg, PA 17105-3608	
ANGLES ± -		APPD	11/29/93	B ELICKER	NAME	
MATERIAL		APPD	11/29/93	B ELICKER	STACKED EJECTOR ASSEMBLY, LEFT SIDE BUTTONS,	
GUIDES, SHROUDS & BUTTON: LCP, COLOR; BLACK		PRODUCT SPEC	-		RAISED & STANDARD HEIGHT, AMP MEMORY CARD	
EJECTOR, RAIL PLATE & LEVER: STAINLESS STEEL		APPLICATION SPEC	-		SIZE	CAGE CODE
FINISH		SCALE	4:1		D	00779
-		WEIGHT	34.2 GRAMS		DRAWING NO	©-146048
					SHEET	1 OF 2

THIS DRAWING IS A CONTROLLED DOCUMENT FOR AMP INCORPORATED. IT IS SUBJECT TO CHANGE AND THE CONTROLLING ENGINEERING ORGANIZATION SHOULD BE CONTACTED FOR THE LATEST REVISION.

LOC		DIST		P		ZONE		LTR		REVISIONS			
AD	39									DESCRIPTION	DATE	APPD	
										B	SEE SHEET ONE	-	-

1. HEADER MOUNTING HOLE LOCATIONS
2. DATUMS & BASIC DIMENSIONS ESTABLISHED BY CUSTOMER.
3. ASSEMBLY REQUIRES USE OF 2-SIZE 2M SCREWS FOR FASTENING TO PRINTED CIRCUIT BOARD.



RECOMMENDED BOARD LAYOUT

DO NOT SCALE PRINT.  
 UNLESS SPECIFIED  
 DIMENSIONS IN mm [INCHES]  
 TOLERANCES ON:  
 2 PLC DEC ± 0.13 [.005]  
 3 PLC DEC ± -  
 ANGLES ± -

DR	11/29/93 J MOSER
CHK	11/29/93 B ELICKER
APPD	11/29/93 B ELICKER
APPD	11/29/93 B ELICKER
PRODUCT SPEC	-
APPLICATION SPEC	-
WEIGHT	-

PART NO		
<b>AMP</b> AMP Incorporated Harrisburg, PA 17105-3608		
NAME		
STACKED EJECTOR ASSEMBLY, LEFT SIDE BUTTONS, RAISED & STANDARD HEIGHT, AMP MEMORY CARD		
SIZE	CAGE CODE	DRAWING NO
D	00779	C-146048
SCALE	4:1	SHEET
		20F2

THIS DRAWING IS A CONTROLLED DOCUMENT FOR AMP INCORPORATED. IT IS SUBJECT TO CHANGE AND THE CONTROLLING ENGINEERING ORGANIZATION SHOULD BE CONTACTED FOR THE LATEST REVISION.